

FP-5F-200

Highlights

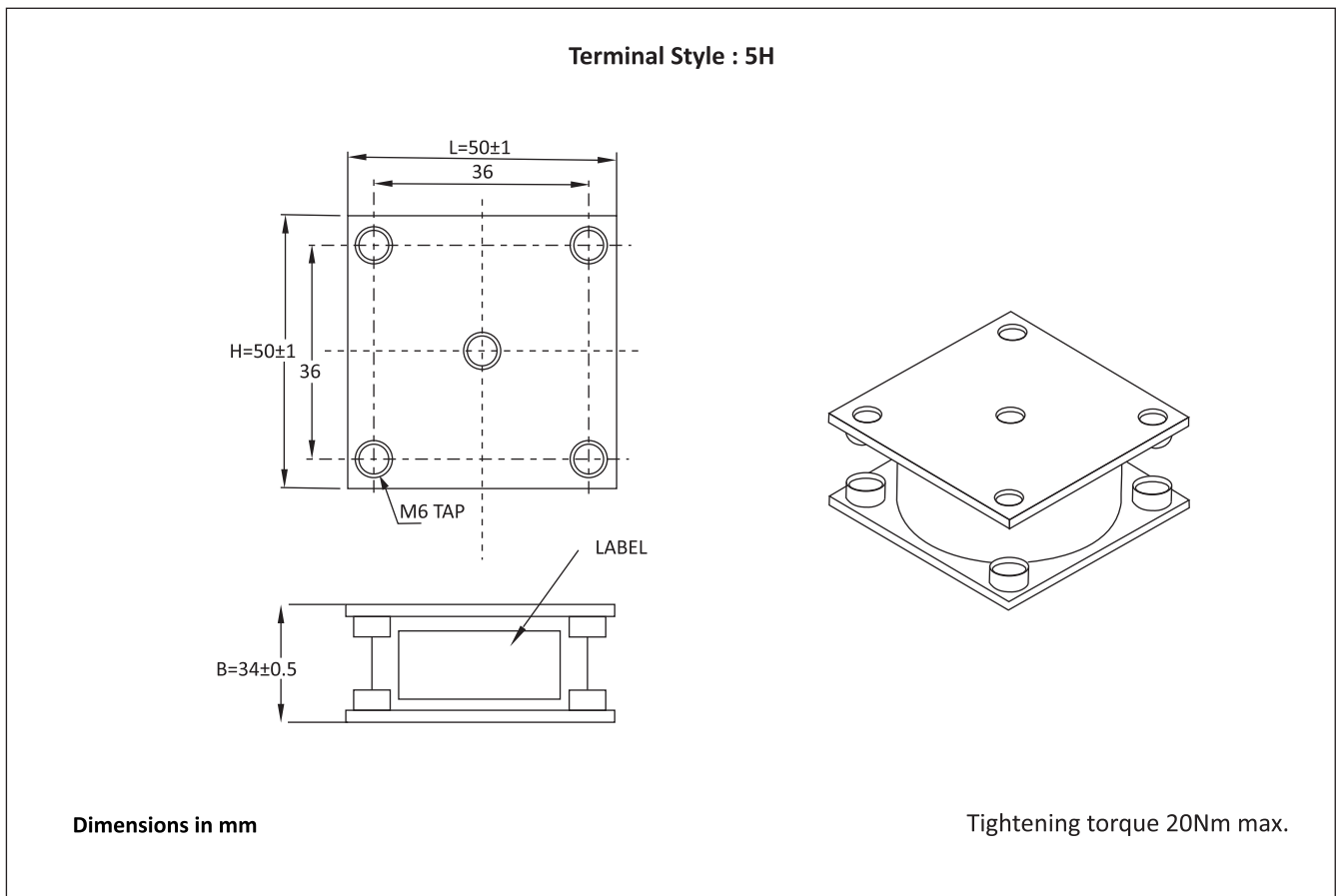
- Conduction cooled
- Polypropylene dielectric
- Self-healing
- Operating frequency 1000Khz
- Maximum operating core temperature 85°C
- Capacitance tolerance ±10%
- Flame retardant UL94 - V0, ROHS compliant



Standard Capacitor Values

Rated Voltage Vrms	Nominal capacitance MFD at 1KHz	Max current Irms	Max power Kvar	Frequency KHz	ESR mΩ	Dimensions mm			Case Code	Terminal Style	Ordering Code
						B±0.5	H±1	L±1			
700	0.33	300	200	196 – 216	1.0	34	50	50	Q1	5H	SP00U330700AWOQ1005HK01
600	0.66	350	200	135 – 149	0.8	34	50	50	Q1	5H	SP00U660600AWOQ1005HK01
500	1.20	400	200	105 - 105	0.5	34	50	50	Q1	5H	SP01U200500AWOQ1005HK01
	1.50	400	200	85 - 85	0.3	34	50	50	Q1	5H	SP01U500500AWOQ1005HK01
400	2.60	550	200	76 - 93	0.2	34	50	50	Q1	5H	SP02U600400AWOQ1005HK01

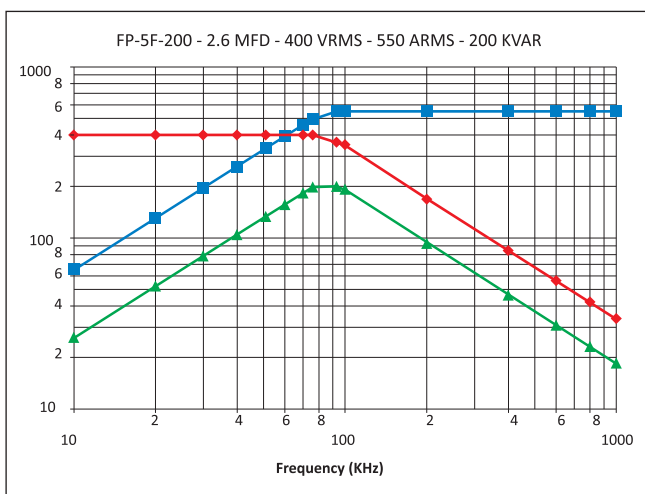
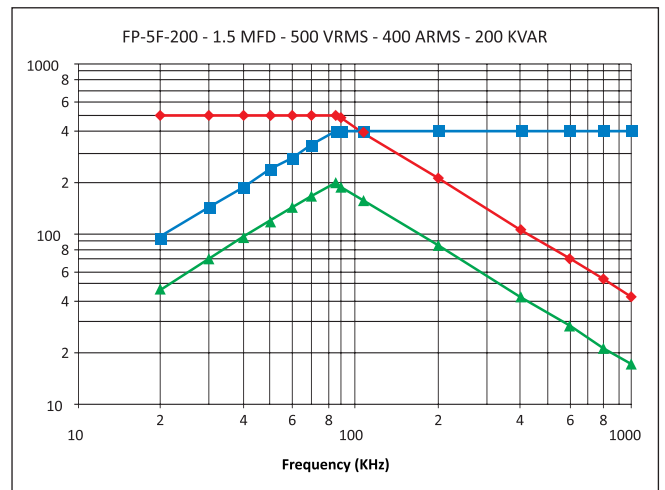
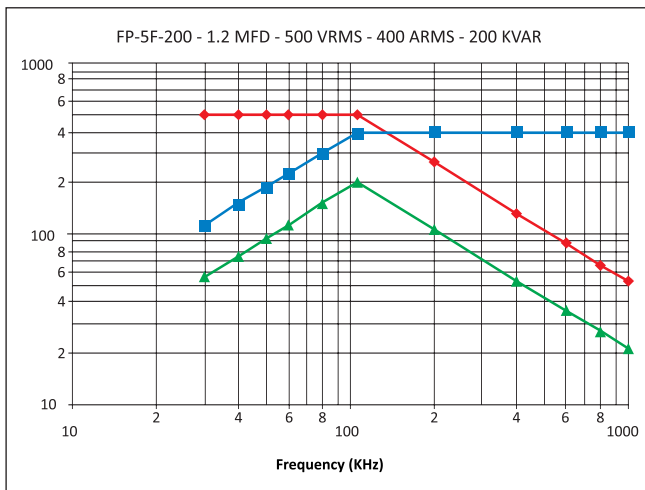
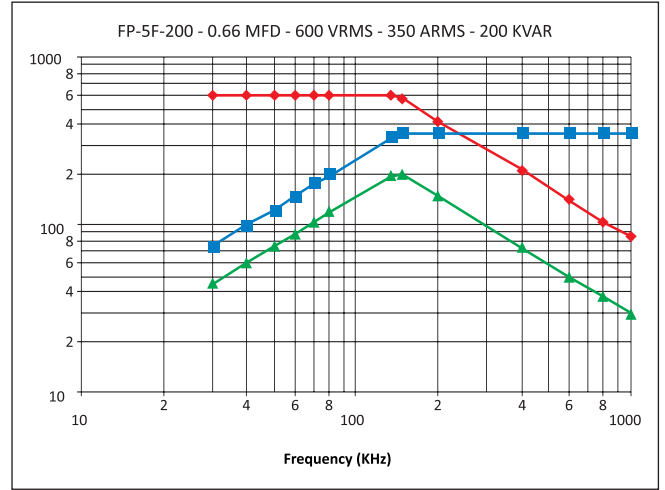
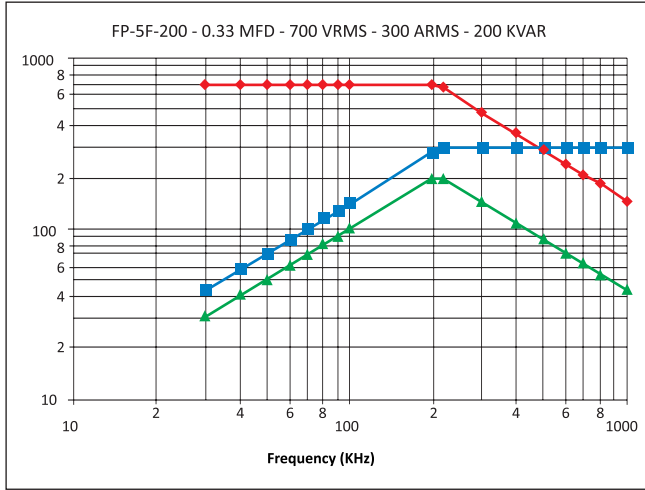
Capacitor Drawing and Terminal Style



FP-5F-200

Frequency Derating

—◆— Voltage —■— Current —▲— Power



Catalogue No. AEPL FP-5F- 200-JULY-2019(Rev 01)

The specification shown herein (page 1 to 2) pertain to the current manufacturing range of the Company. The Company reserves the right to change and /or modify any part of or whole of the specifications as a result of research and development and as may be necessary, without prior notice

All Products not for marketing / sale in all countries.