

## ACC -120

### Highlights

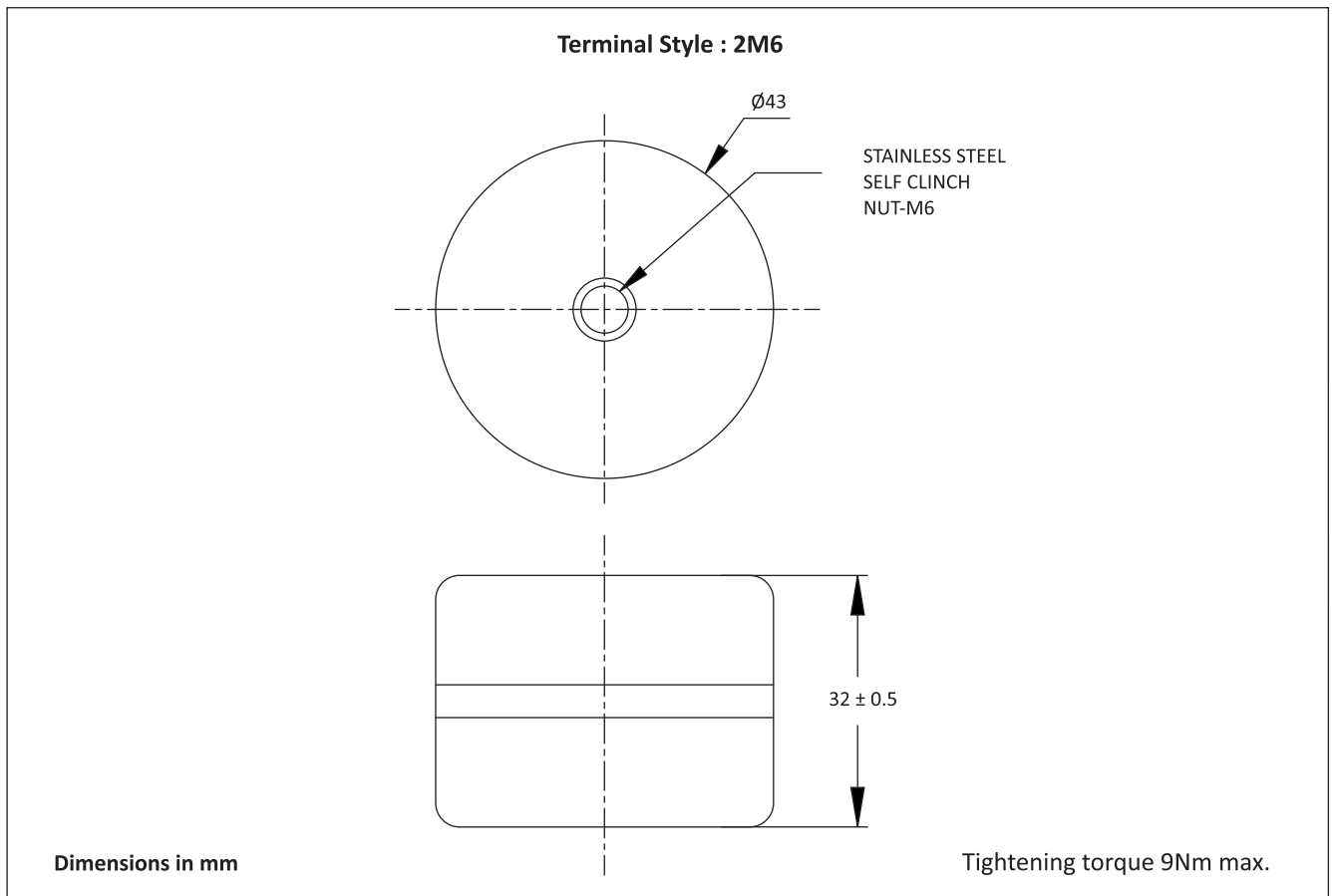
- Conduction cooled
- Polypropylene dielectric
- Self-healing
- Operating frequency up to 1900 KHz
- Maximum operating core temperature 85°C
- Capacitance tolerance  $\pm 10\%$
- Flame retardant UL94 - V0, ROHS compliant



### Standard Capacitor Values

Rated Voltage Vrms	Nominal capacitance MFD at 1KHz	Max current Irms	Max power Kvar	Frequency KHz	ESR mΩ	Dimensions mm		Case Code	Terminal Style	Ordering Code
						D	H			
1200	0.010	120	120	1330-1900	5.0	43	32	J5	2M6	SP00U011200CC0J502M6K01
	0.050	120	120	265-385	5.0	43	32	J5	2M6	SP00U051200CC0J502M6K01
1000	0.150	120	120	127-127	5.0	43	32	J5	2M6	SP00U151000CC0J502M6K01
	0.170	120	120	127-127	5.0	43	32	J5	2M6	SP00U171000CC0J502M6K01
	0.185	120	120	103-103	5.0	43	32	J5	2M6	SP0U1851000CC0J502M6K01
800	0.330	150	120	91-91	2.0	43	32	J5	2M6	SP00U330800CC0J502M6K01

### Capacitor Drawing and Terminal Style



## ACC -120

### Frequency Derating

—◆— Voltage    —■— Current    —▲— Power

