

PSSP Series

-40°C +85°C



PSSP Series - Snap-in Terminal Type, Withstanding 2000 hours application of high ripple current at 85°C.

Specifications

- **Operation Temperature Range** : -40 ~ +85°C
- **Rated Working Voltage**: 16 ~ 500VDC
- **Capacitance Tolerance** (120Hz 20°C) : $\pm 20\%$ (M)
- **Leakage Current** (20°C)

I 0.02CV or 3 (mA) *Whichever is smaller after 5 min

I : Leakage Current (μA) C : Rated Capacitance (μA)

V : Working Voltage(V)

- **Surge Voltage (20°C)**

W.V.	16	25	35	50	63	80	100	160	180	200	250	350	400	450	500
S.V.	20	32	44	63	79	100	125	200	225	250	300	400	450	500	550

- **Dissipation Factor ($\tan \delta$) (120Hz 20°C)**

Rated Voltage (V)	16	25	35	50	63	80	100	≥ 160					
Capacitance	-	-	$\leq 22,000$	$\geq 33,000$	$\leq 6,800$	$\geq 10,000$	$\leq 6,800$	$\geq 10,000$	$\leq 2,200$	$\geq 3,300$	$\leq 3,300$	$\geq 4,700$	-
$\tan \delta$	0.50	0.40	0.35	0.40	0.30	0.35	0.25	0.35	0.20	0.25	0.20	0.25	0.15

- **Low Temperature Stability**

Impedance ratio at 120Hz

Rated Voltage (V)	63~100	160~250	350~500
-25°C/ +20°C	4	6	8
-40°C/ +20°C	15	-	-

- **Load Life**

After 2000 hours application of W. V. at +85°C, the capacitor shall meet the following limits.

Capacitance Change	$\leq \pm 15\%$ of initial value
Dissipation Factor	$\leq 175\%$ of initial specified value
Leakage Current	\leq initial specified value

- **Shelf Life**

At +85°C, no voltage application after 1000 hours, the capacitor shall meet the limits for load life characteristics. (With voltage treatment)

- **Ripple Current Coefficients**

Temperature (°C)	40	60	70	85	
Multiplier	1.80	1.40	1.20	1.00	
Frequency (Hz)	60	120	400	1K	10K
W.V.	Multiplier				
$\leq 100\text{V}$	0.80	1.00	1.10	1.20	1.20
$\geq 160\text{V}$	0.80	1.00	1.10	1.30	1.40

PSSP Series

-40°C +85°C

Case Size & Max Ripple Current

V (Code)	16					25					35					
	μF / ∅D	22	25	30	35	45	22	25	30	35	45	22	25	30	35	45
3300												25				
												2.04				
4700						25						30	25			
		25					2.25					2.41	2.30			
6800		2.40				30	25					35	30	25		
		30					2.69	2.56				2.82	2.70	2.66		
10000		2.81	25				35	30	25			45	35	30	25	
		30	2.67				3.09	2.97	2.92			3.34	3.06	3.04	3.28	
15000		40	30	25			45	35	30	25			50	35	30	
		3.43	3.11	3.07			3.70	3.39	3.37	3.63			4.06	3.67	3.98	
22000			45	30	25			45	35	30				45	40	
			4.25	3.78	4.09			4.48	4.25	4.61				4.94	5.41	
33000				45	35				50	40					50	
				5.48	5.67				6.05	6.33					7.27	
56000																55
																10.27
68000											55					60
											11.47					11.73
82000					50						60					
					10.83						13.06					
100000					60											L(mm)
					12.90											R.C.

Case size : D x L (mm)

Max ripple current : A(rms) 85°C 120Hz

PSSP Series

-40°C +85°C

Case Size & Max Ripple Current

V (Code)	50					63					80					100							
	μF	∅D	22	25	30	35	45	22	25	30	35	45	22	25	30	35	45	22	25	30	35	45	
1000													25					30	25				
													1.50					1.71	1.63				
1200																		35	30				
																		2.01	1.93				
1500						25							30	25				35	30	25			
						1.66							1.88	1.79				2.11	2.03	2.00			
1800																		45	35	30			
																		2.59	2.37	2.35			
2200	25					30	25						40	30	25			50	40	30	25		
	1.92					2.08	1.98						2.45	2.22	2.19			2.84	2.64	2.47	2.66		
3300	30	25				35	30	25					50	40	30	25			50	40	30		
	2.35	2.24				2.51	2.41	2.38					3.05	2.83	2.65	2.86			3.25	3.11	3.19		
4700	35	30	25			45	35	30	25				50	40	30					50	40		
	2.72	2.62	2.58			3.04	2.79	2.77	2.99				3.36	3.21	3.30					3.65	3.82		
6800	50	40	30	25			50	35	30					50	40							50	
	3.45	3.20	3.00	3.23			3.53	3.19	3.46					3.80	3.98							4.48	
10000		50	35	30				45	40														
		3.70	3.35	3.64				3.72	4.08														
12000																							60
																							5.83
15000			50	40					50									55					70
			4.61	4.83					5.30									6.29					6.96
18000				45																			
				5.55																			
22000				50														65					
				6.42														8.17					
27000																							
33000					55																		
					8.51																		
39000					65																		L(mm)
					9.26																		R.C.

Case size : D x L (mm)

Max ripple current : A(rms) 85°C 120Hz

Case Size & Max Ripple Current

V (Code)	160					180					200					250							
	μF	∅D	22	25	30	35	45	22	25	30	35	45	22	25	30	35	45	22	25	30	35	45	
220													25					25					
													1.25					1.31					
270													25					30	25				
													1.67					1.57	1.57				
330							25						30	25				35	30				
							1.31						1.66	1.66				1.85	1.87				
390	25						30	25					30	25				35	30	25			
	1.44						1.54	1.54					1.80	1.80				2.01	2.03	2.10			
470	30	25					30	25					35	30	25			40	35	25	25		
	1.70	1.70					1.69	1.69					2.11	2.13	2.21			2.34	2.38	2.31	2.54		
560	35	30					35	30	25				40	35	25			50	40	30	25		
	1.99	2.23					1.97	1.99	2.06				2.44	2.48	2.41			2.82	2.74	2.71	2.78		
680	40	30	25				40	35	25				45	35	30	25			45	35	30		
	2.32	2.21	2.29				2.30	2.34	2.27				2.83	2.73	2.85	2.92			3.19	3.18	3.28		
820	45	35	30				45	40	30	25			40	30	25			50	40	30			
	2.68	2.58	2.70				2.67	2.72	2.68	2.75			3.17	3.13	3.21			3.67	3.69	3.60			
1000	50	40	30	25			45	35	25				50	35	30				45	35			
	3.11	3.02	2.98	3.05			3.16	3.15	3.04				3.87	3.68	3.80				4.28	4.22			
1200		45	35	30			50	40	30					40	35				50	40			
		3.49	3.48	3.59			3.63	3.65	3.56					4.26	4.42				4.91	4.88			
1500			40	35				45	35						40						50		
			4.11	4.26				4.15	4.09						5.02						5.74		
1800			45	35					40						50								
			4.73	4.67					4.73						6.04								
2200																						50	
																						5.81	
2700																		50				60	
																		6.44				6.94	
3300																							
3900																							
4700																							
																							L(mm)
																							R.C.

Case size : D x L (mm)

Max ripple current : A(rms) 85°C 120Hz

PSSP Series

-40°C +85°C

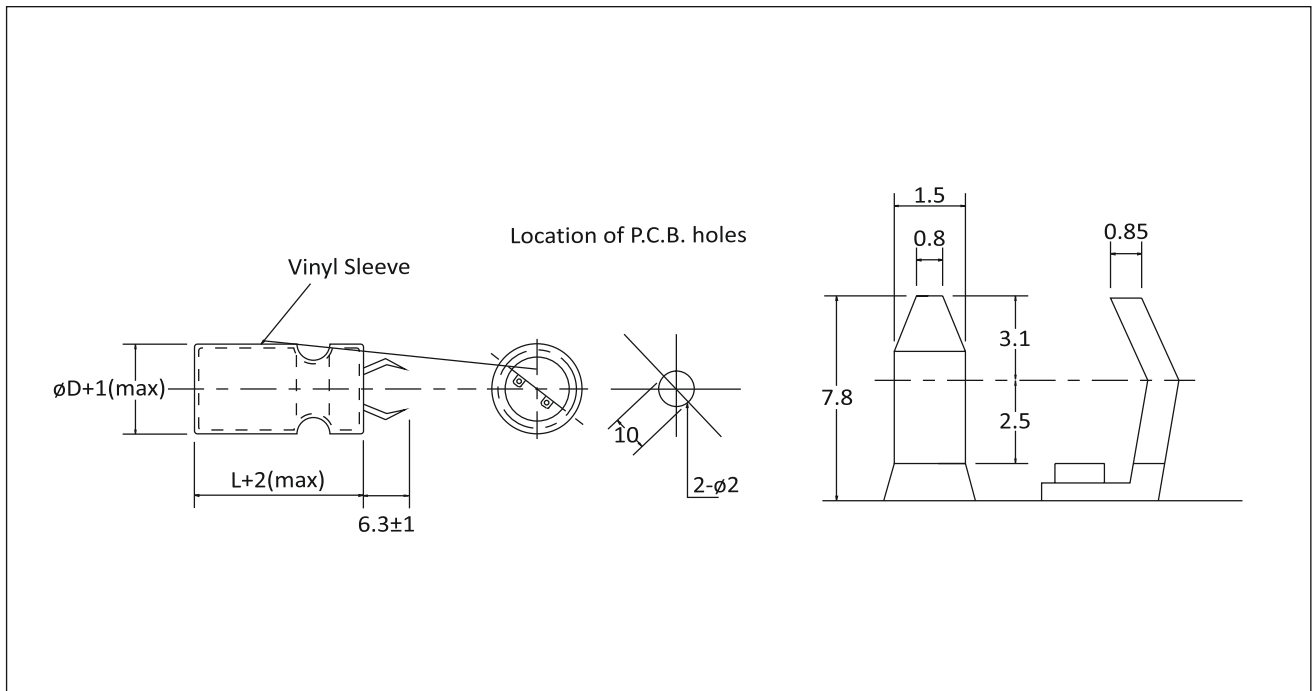
Case Size & Max Ripple Current

V (Code)	350					400					450					500							
	μF	∅D	22	25	30	35	45	22	25	30	35	45	22	25	30	35	45	22	25	30	35	45	
82							25					30	25				35	30	25				
							0.76					0.83	0.83				0.73	0.74	0.76				
100	25						30	25				35	30	25			40	30	25				
	0.73						0.91	0.91				0.97	0.98	1.02			0.85	0.81	0.84				
120	30	25					30	25				40	30	25			45	35	30				
	0.86	0.86					1.00	1.00				1.13	1.08	1.12			0.99	0.95	0.99				
150	30	25					35	30	25			45	35	30			50	40	35	30			
	0.96	0.96					1.19	1.20	1.25			1.33	1.28	1.34			1.15	1.12	1.18	1.22			
180	35	30	25				40	35	25			50	40	30	25			45	40	30			
	1.13	1.14	1.18				1.38	1.40	1.37			1.53	1.49	1.47	1.50			1.30	1.37	1.33			
220	40	35	25				50	40	30	25			45	35	30			50	45	35			
	1.32	1.34	1.30				1.69	1.64	1.62	1.66			1.73	1.72	1.78			1.50	1.59	1.57			
270	50	40	30	25			45	35	30				40	35						50	45		
	1.61	1.57	1.55	1.59			1.92	1.91	1.97				2.02	2.10						1.84	1.92		
330		45	35	30			50	40	30				45	35								45	
		1.82	1.82	1.88			2.22	2.23	2.18				2.35	2.32									2.13
390		50	40	30				45	35					40									50
		2.08	2.10	2.04				2.55	2.52					2.66									2.42
470			40	35					40											45			
			2.30	2.38					2.92											3.07			
560			50	40					45														
			2.76	2.75					3.34														
680				45					50											50			
				3.18					3.85											3.70			
820														50						55			
														4.06						4.22			
1000					50																		
					4.14									4.66									
1500					60																		L(mm)
					4.43																		R.C.

Case size : D x L (mm)

Max ripple current : A(rms) 85°C 120Hz

P.C.B. TERMINAL (SNAP IN) SYMBOL:W (f22~35)



Dimension in mm.