

## FP-4G-600

### Highlights

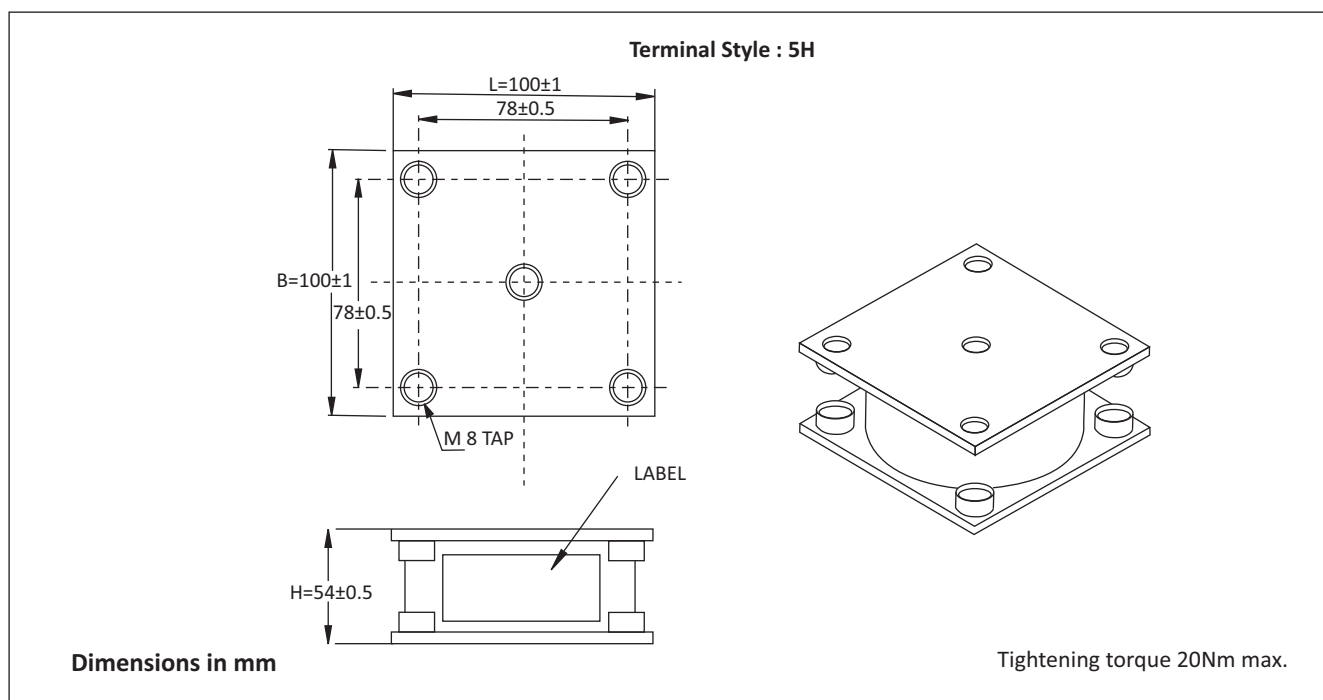
- Conduction cooled
- Polypropylene dielectric
- Self-healing
- Operating frequency 100KHz
- Maximum operating core temperature 85°C
- Capacitance tolerance  $\pm 10\%$
- Flame retardant UL94 - V0, ROHS compliant



### Standard Capacitor Values

Rated Voltage Vrms	Nominal capacitance MFD at 1KHz	Max current Irms	Max power Kvar	Frequency KHz	ESR mΩ	Dimensions mm			Case Code	Terminal Style	Ordering Code
						B	H	L			
1000	0.33	600	600	290	1.0	100	54	100	G1	5H	SP00U331000BCOG1005HK01
	0.50	700	600	191-260	0.9	100	54	100	G1	5H	SP00U50800BCOG1005HK01
	0.66	700	600	145-197	0.8	100	54	100	G1	5H	SP00U660800BCOG1005HK01
900	1.33	950	600	89-180	0.3	100	54	100	G1	5H	SP01U330700BCOG1005HK01
700	2.60	1050	600	76-112	0.3	100	54	100	G1	5H	SP002U60600BCOG1005HK01
500	5.00	1200	600	76	0.2	100	54	100	G1	5H	SP000050500BCOG1005HK01

### Capacitor Drawing and Terminal Style



## FP-4G-600

### Frequency Derating

—●— Voltage    —■— Current    —▲— Power

