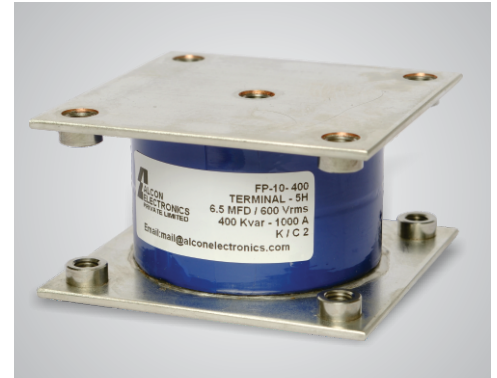


FP-10-400

Highlights

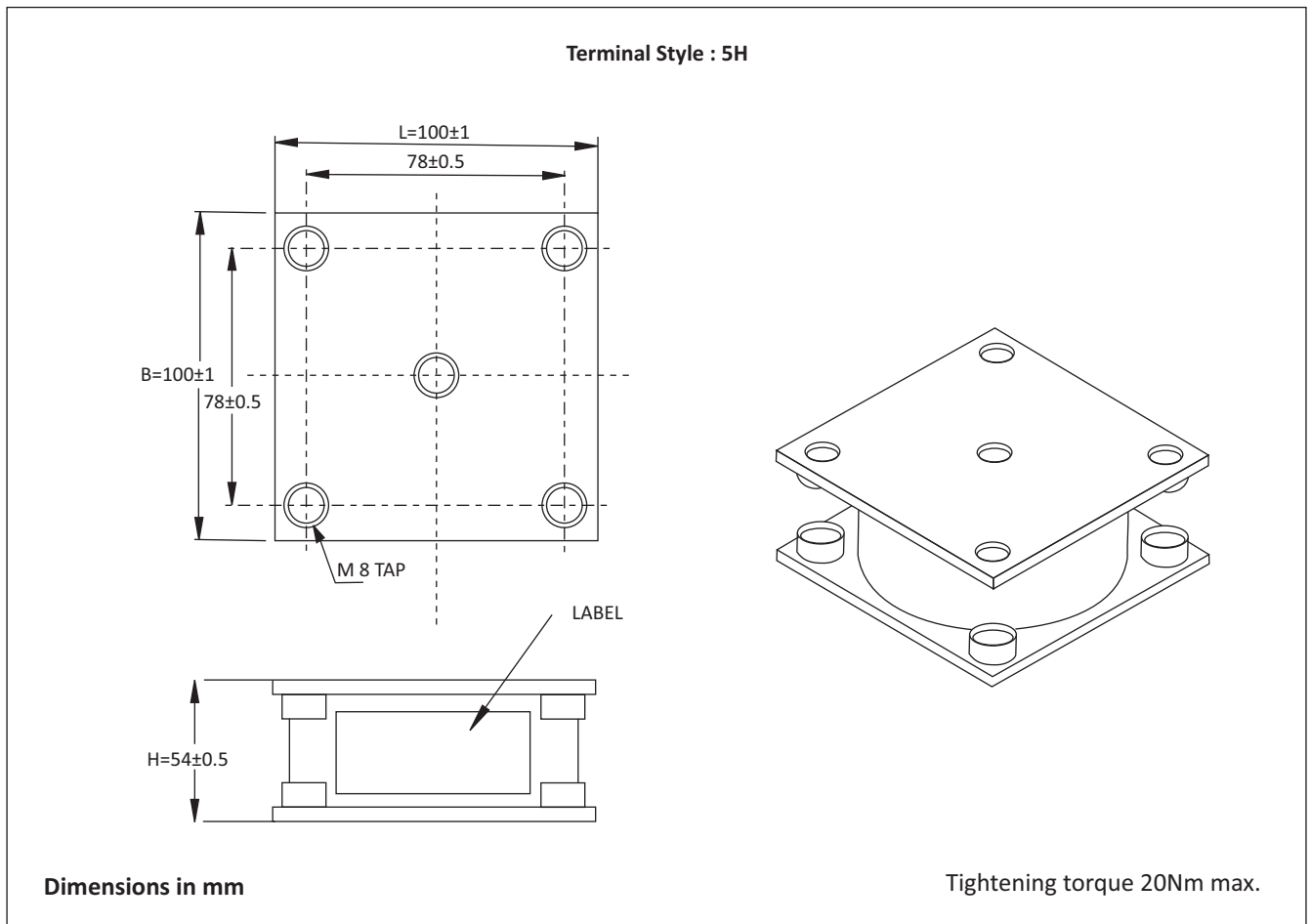
- Conduction cooled
- Polypropylene dielectric
- Self-healing
- Operating frequency 100KHz
- Maximum operating core temperature 85°C
- Capacitance tolerance $\pm 10\%$
- Flame retardant UL94 - V0, ROHS compliant



Standard Capacitor Values

Rated Voltage Vrms	Nominal capacitance MFD at 1KHz	Max current Irms	Max power Kvar	Frequency KHz	ESR mΩ	Dimensions mm			Case Code	Terminal Style	Ordering Code
						B	H	L			
600	6.50	1000	400	27-62	1.2	100	54	100	G1	5H	SP6U500600G1K05HFP10
	8.50	1000	400	30-47	1.0	100	54	100	G1	5H	SP8U500600G1K05HFP10
	10.00	1000	400	18-40	0.8	100	54	100	G1	5H	SP10U00600G1K05HFP10
500	20.00	1000	400	13-15	0.6	100	54	100	G1	5H	SP20U00500G1K05HFP10
400	40.00	1000	400	10	0.4	100	54	100	G1	5H	SP40U00400G1K05HFP10

Capacitor Drawing and Terminal Style



FP-10-400

Frequency Derating

—●— Voltage —■— Current —▲— Power

